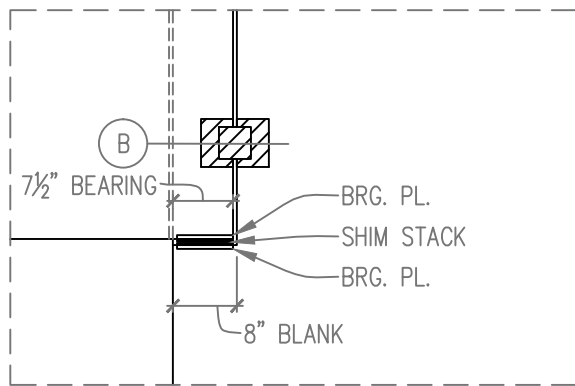
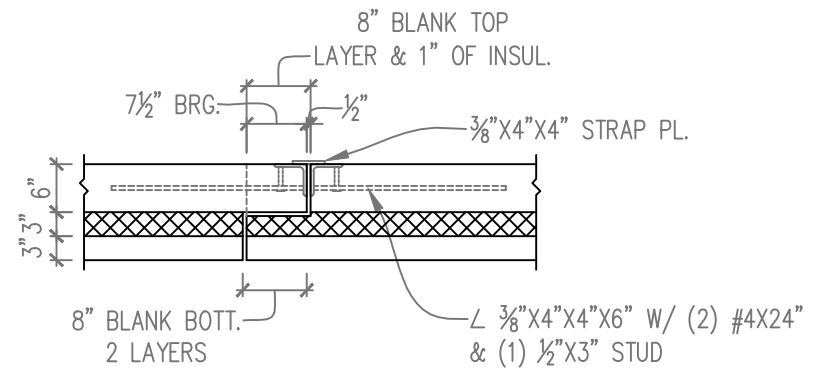


- OVERHEAD PANEL – LOAD BEARING SPANDREL
 DETAIL SCALE: 1/4" = 1'-0"



A SPANDREL BEARING CONDITION
 DETAIL SCALE: 1/2" = 1'-0"



B SPANDREL BEARING CONDITION
 DETAIL SCALE: 1/2" = 1'-0"