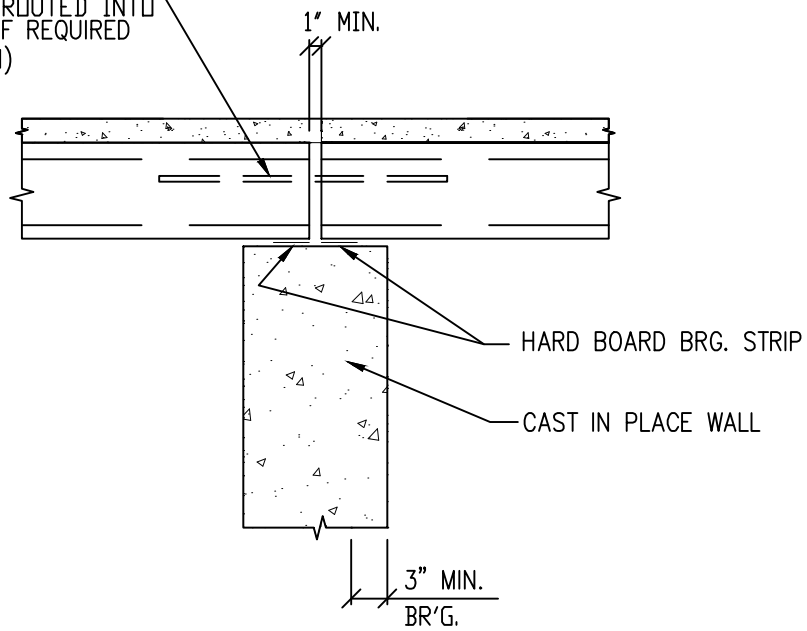


BAR OR PRESTRESS  
STRAND GROUTED INTO  
KEYWAY (IF REQUIRED  
BY DESIGN)



HOLLOWCORE PLANK BEARING  
ON INTERIOR C.I.P. WALL